

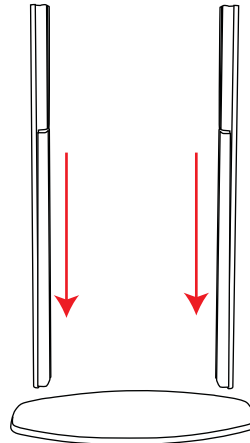
# Lecturn Linear Column



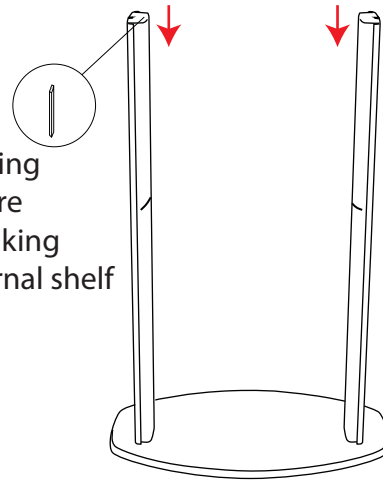
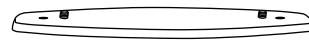
Hardware Dimension(mm)  
640(w) x 1015(h) x 325(d)

Weight(kg)  
6.8

**1**

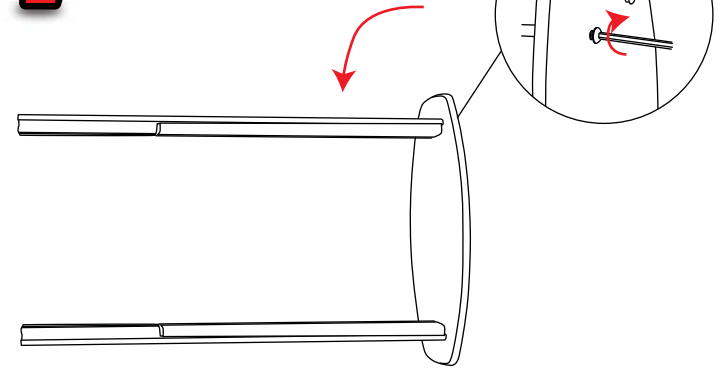


**3**

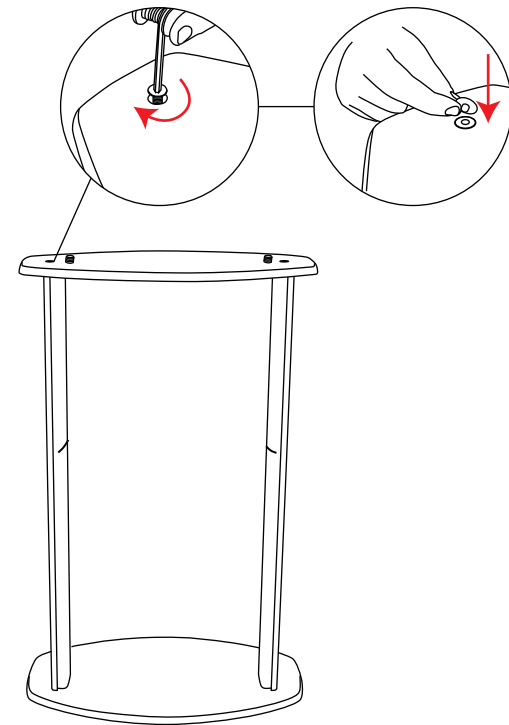


Before securing top make sure to slide in linking bars for internal shelf

**2**

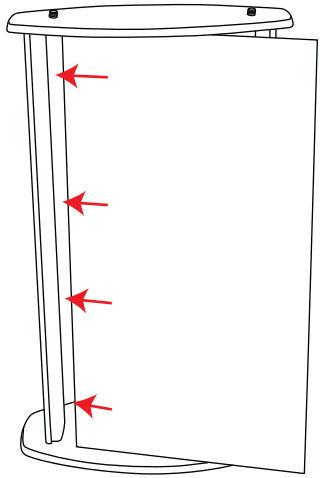


**4**

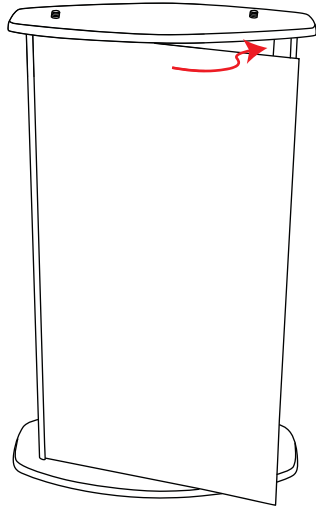


# Lectern Linear Column

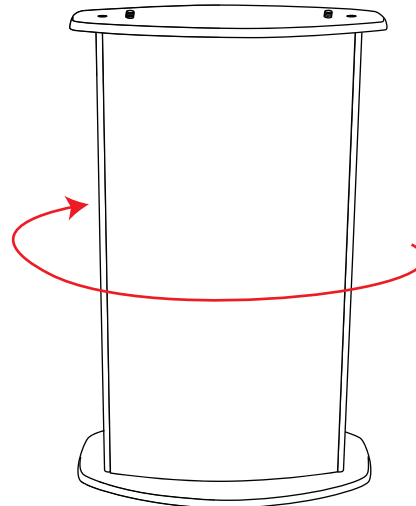
**5**



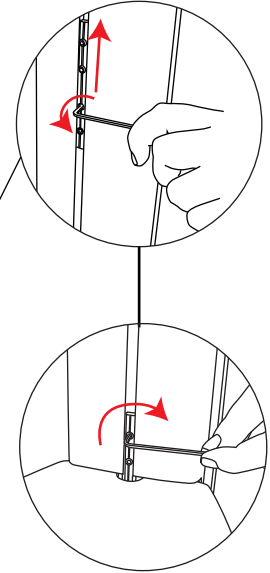
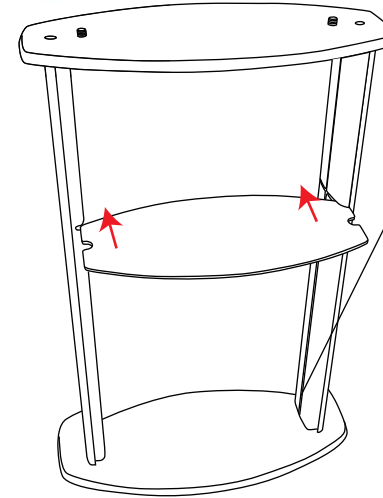
**6**



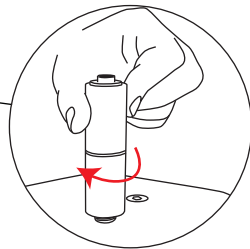
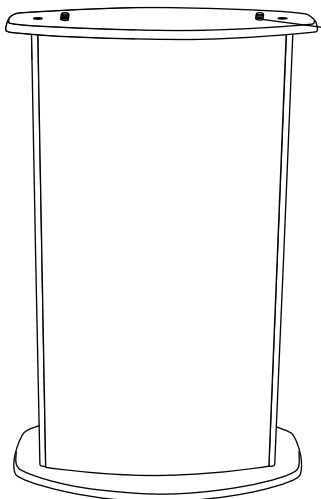
**7**



**8**



**9**



**10**

